



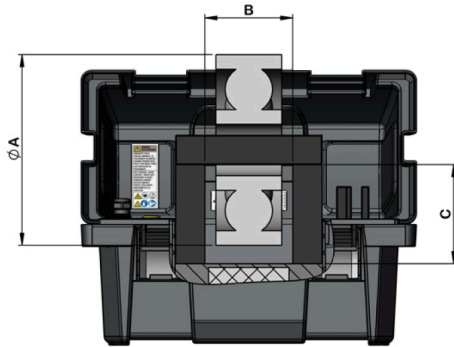
HEATER20-BASIC-230V

Heating device, inductive

Schaeffler ID:
0966576690000

HEATER basic

Technical information



Technical data

U	230 V	Operating voltage
f	50 - 60 Hz	Frequency
P	2.3 kVA	Power consumption
I	10 A	Current rating
$\vartheta_{h \max}$	150 °C	Max. heating temperature
	0 - 30 min	Heating time
	Digital	Display
	1	Magnetic probe, quantity
$\approx m$	21.3 kg	Weight

Functions

+	Temperature hold
+	Automatic demagnetization, <math><2A/cm</math>
—	Swivel arm
—	Log function
—	Delta-T control
+	Temperature control
+	Time control
—	Temperature and time control
—	Temperature and speed control
+	Overheating protection
—	Automatic power reduction
—	Device supports horizontal / lying heating of the workpiece
+	Device supports vertical / hanging heating of the workpiece

Dimensions

	460 mm	Length HEATER
	240 mm	Width HEATER
	280 mm	Height HEATER
B	120 mm	Space between poles
C	135 mm	Pole length

Workpiece to be heated

	10 mm	Min. inner diameter workpiece, vertical heating: with included yoke
$\varnothing A_{\max}$	240 mm	Max. outer diameter workpiece
	115 mm	Max. workpiece width, vertical heating
$m_{b \max}$	20 kg	Max. workpiece weight

Additional information

	5	Yokes included, quantity
	7x7, 10x10, 14x14, 20x20, 40x40	Yokes included, cross section (mm ²)